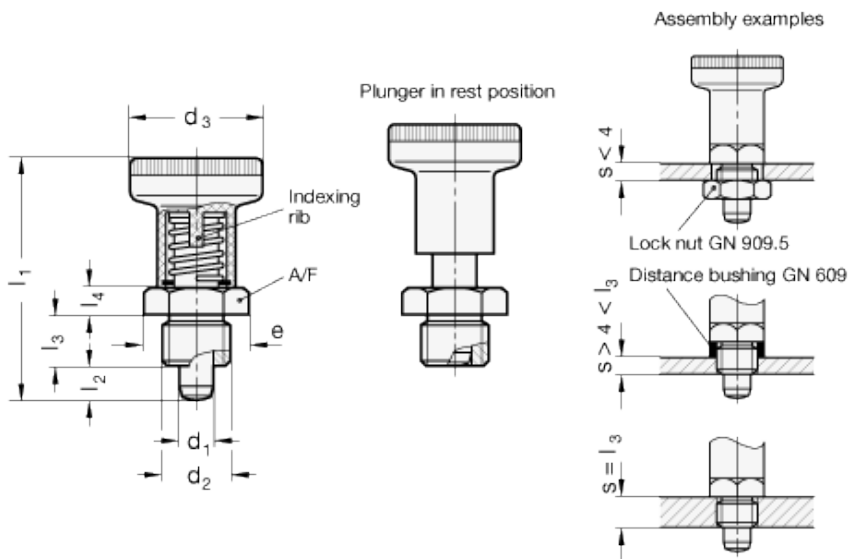


# GN 607.1

Indexing plungers with rest position



## technical informations

**Threaded body**  
Black-oxide steel.

## Plunger

Black-oxide steel with hardened end. Suggested matching hole in H7 tolerance.

## Locking nut

Black-oxide steel.

## "Push/Pull" knurled knob

High resilience polyamide based (PA) technopolymer, black colour, matte finish. Resistant to solvents, oils, greases and other chemical agents.

### Standard executions available

- Version A: with knob, without locking nut.
- Version AK: with knob and locking nut, ISO 8675.

### Accessories on request (For sufficient quantities)

GN 609 black-oxide steel distance bushings are available for making up for the length of the threading in case the plunger is assembled on thin sheets.

### Applications

GN 607.1 indexing plungers with rest position have compact dimensions and are used on thin metal sheets and where the plunger needs to be locked in the retracted position.

| Standard Elements | Main dimensions |                   |       |       |     |       |                    |             | Spring pressure in N $\approx$ |     | Axial holding force in N | Weight<br>g |         |
|-------------------|-----------------|-------------------|-------|-------|-----|-------|--------------------|-------------|--------------------------------|-----|--------------------------|-------------|---------|
|                   | Description     | $d_1 -0.02/-0.04$ | $d_2$ | $d_3$ | $e$ | $l_1$ | $l_2 \text{ min.}$ | $l_3 -0.15$ | $l_4$                          | A/F |                          |             | Preload |
| GN 607.1-6-A-ST   | 6               | M12x1.5           | 25    | 19.6  | 45  | 6     | 10                 | 5           | 17                             | 7   | 8.5                      | 400         | 34      |
| GN 607.1-8-A-ST   | 8               | M16x1.5           | 31    | 21.9  | 54  | 8     | 12                 | 6           | 19                             | 14  | 15.5                     | 500         | 59      |
| GN 607.1-6-AK-ST  | 6               | M12x1.5           | 25    | 19.6  | 45  | 6     | 10                 | 5           | 17                             | 7   | 8.5                      | 400         | 42      |
| GN 607.1-8-AK-ST  | 8               | M16x1.5           | 31    | 21.9  | 54  | 8     | 12                 | 6           | 19                             | 14  | 15.5                     | 500         | 75      |



ELESA and GANTER models all rights reserved in accordance with the law. Always mention the source when reproducing our drawings.

STANDARD MACHINE ELEMENTS WORLDWIDE